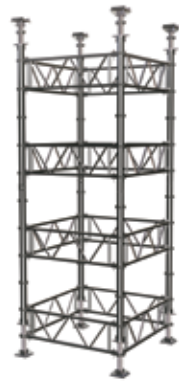


FORMWORK
PRODUCT GUIDE

Acrow
Powershore
High Load Capacity Shoring System



Genuine **Safety.**
Outstanding Service.



ACROW POWERSHORE - High Load Capacity Shoring System

TYPICAL POWERSHORE TOWER

The Acrow Powershore is a high load shoring system that provides a fast, efficient and versatile supporting structure. The simplicity of the coupling of strong vertical Standards joined together by Horizontal Bracing Frames enables towers to be easily and safely erected.

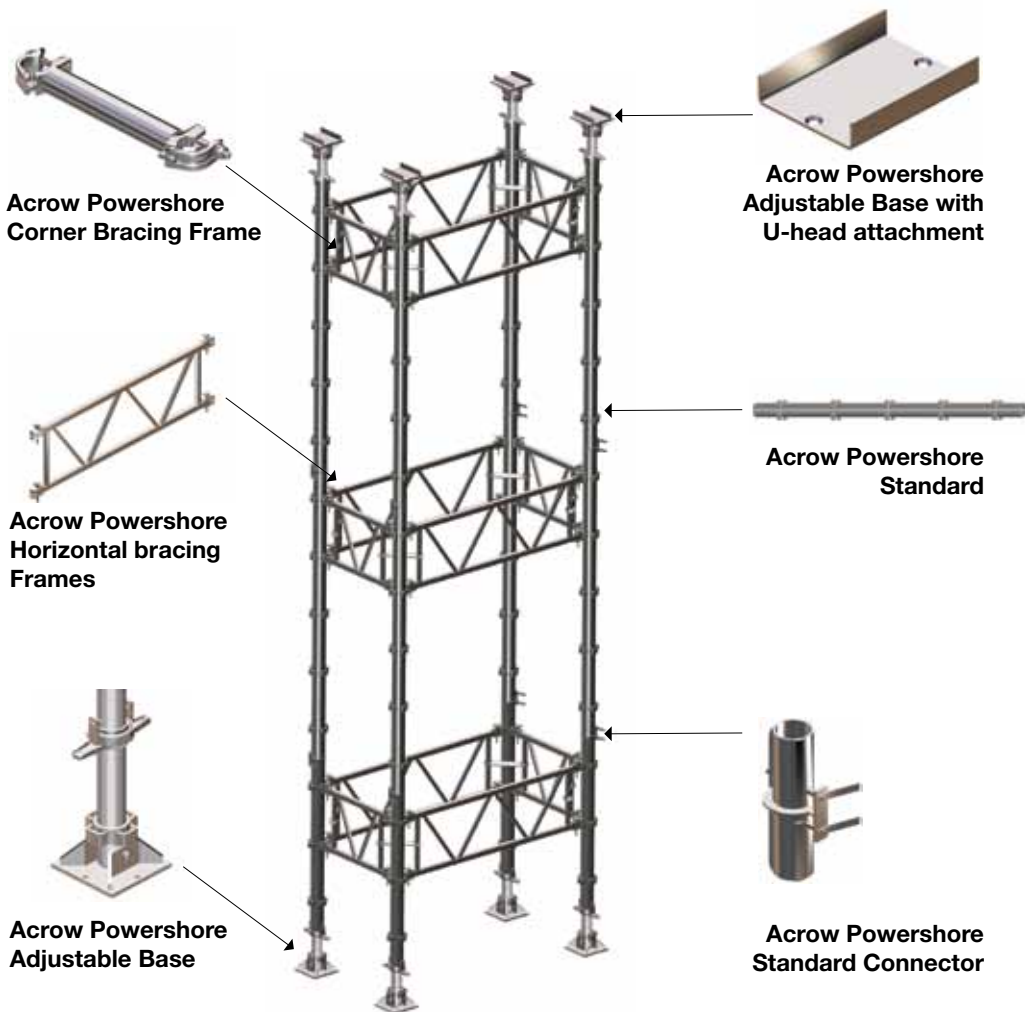
Standards are joined together using a rigid full strength Standard Connector.

Corner braces are attached at adjoining corners and alternated between each level to maintain squareness and rigidity of the tower throughout its height.

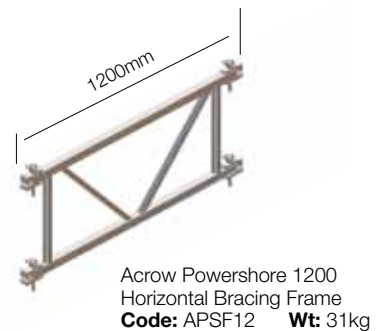
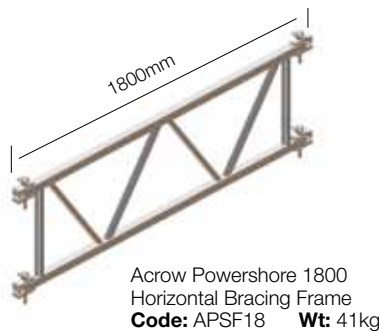
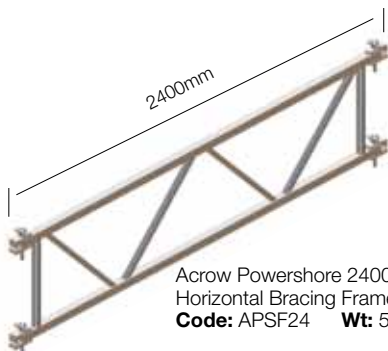
Adjustable Bases at the bottom of the tower and Adjustable Bases with U-head attachments at the top of the tower provide infinite height adjustment. These Adjustable Bases can be braced with a Bracing Frame as required.

The built in strength of each individual component contributes to construction of a support tower capable of supporting leg load in excess of 300 kN based on tower and bracing frame configuration.

Acrow Powershore Towers can be configured to support loads up to 1200 kN per tower.

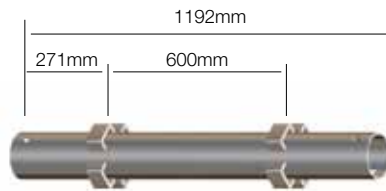


Bracing

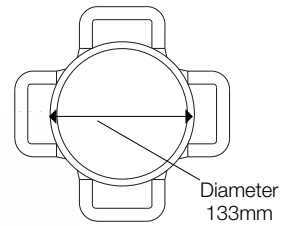


ACROW POWERSHORE

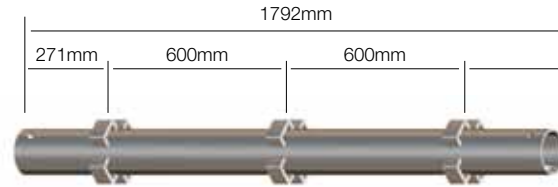
Acrow Powershore
1200 Standard
Code: APSS12
Wt: 26 kg



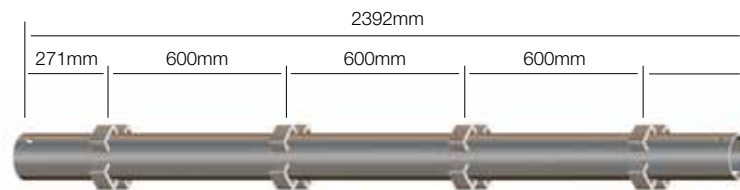
Section through
Standard showing
detail of location
clusters



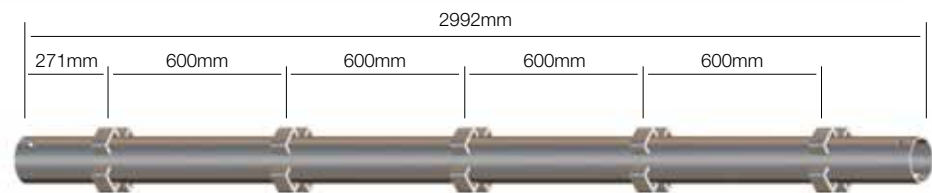
Acrow Powershore
1800 Standard
Code: APSS18
Wt: 39 kg



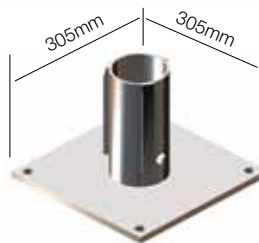
Acrow Powershore
2400 Standard
Code: APSS24
Wt: 52 kg



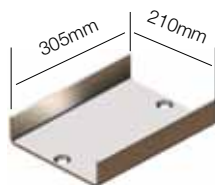
Acrow Powershore
3000 Standard
Code: APSS30
Wt: 65 kg



Acrow Powershore
Adjustable Base
Code: APSSJ **Wt:** 51kg



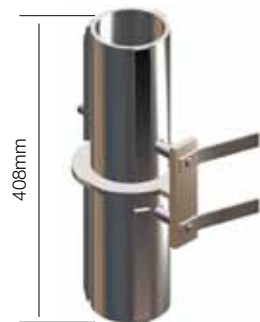
Acrow Powershore
Base Plate
Code: APSBP **Wt:** 16.5kg



Acrow Powershore
U-Head Attachment
Code: APSUH **Wt:** 4.5kg

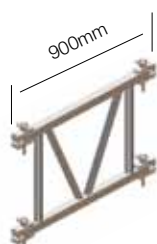


Acrow Powershore
Wedge Jack
Code: WJ50T **Wt:** 12.5kg



Acrow Powershore
Standard Connector
Code: APSC **Wt:** 10kg

Bracing



Acrow Powershore 900
Horizontal Bracing Frame
Code: APSF09 **Wt:** 24kg



Acrow Powershore Corner Brace
Code: APSCB **Wt:** 2.2kg



Acrow Powershore 600 Tie Bar
Code: APSTB06 **Wt:** 5kg

- ▲ Formwork
- ▲ Scaffolding
- ▲ Industrial & Mining Scaffolding



Contact

Phone: 1300 138 362
or contact your business
development manager.
www.acrow.com.au