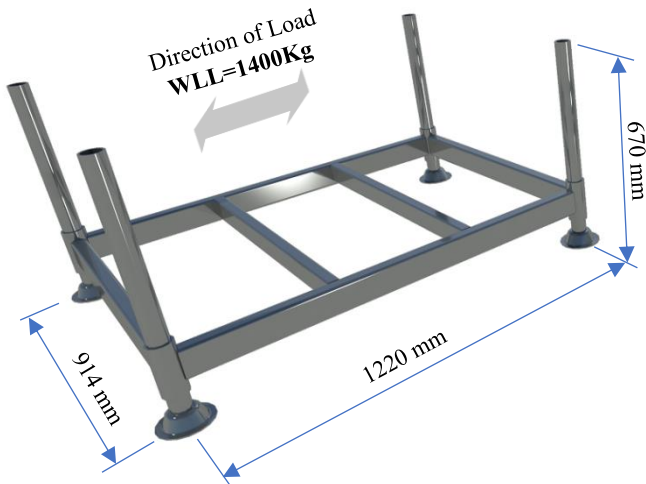


Acrow offers a range of stillages for storing and transporting its wide range of scaffold and formwork components.

Acrow's stillages are classified into two groups: Open and Enclosed Stillages.

Open Stillages

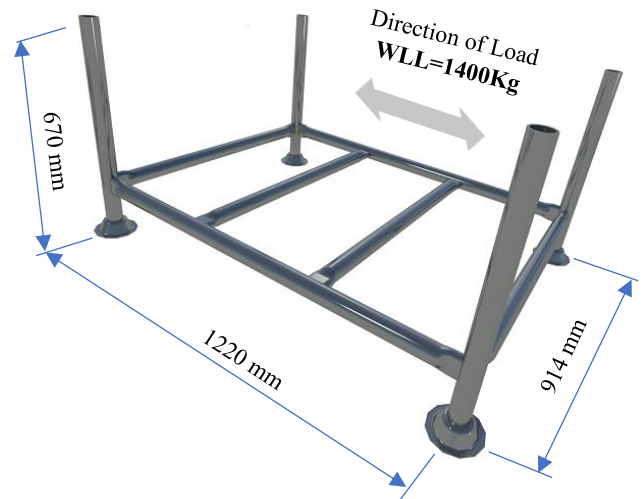


Size: 1200x900 (Actual size 1220x914x670mm)

Features: Horizontal Members: RHS
76x38x4mm

Working Load Limit: 1400Kg

Stillage Code: SSMK2

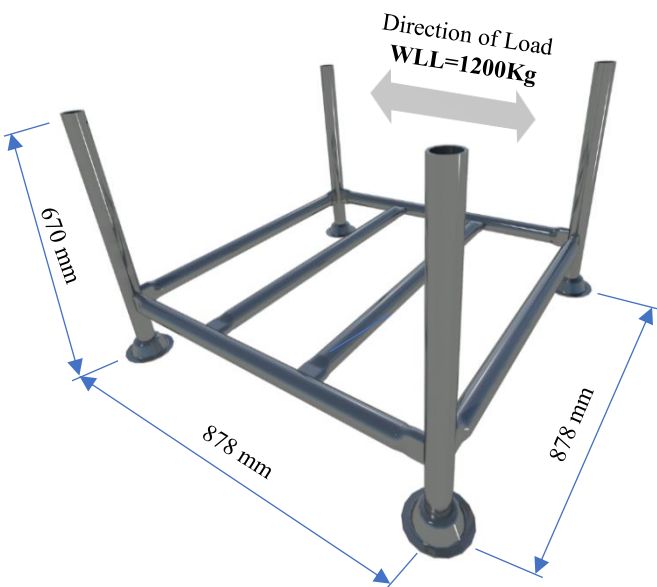


Size: 1200x900 (Actual size 1220x914x670mm)

Features: Horizontal Members: CHS Ø48.3 x
4mm

Working Load Limit: 1400Kg

Stillage Code: SP

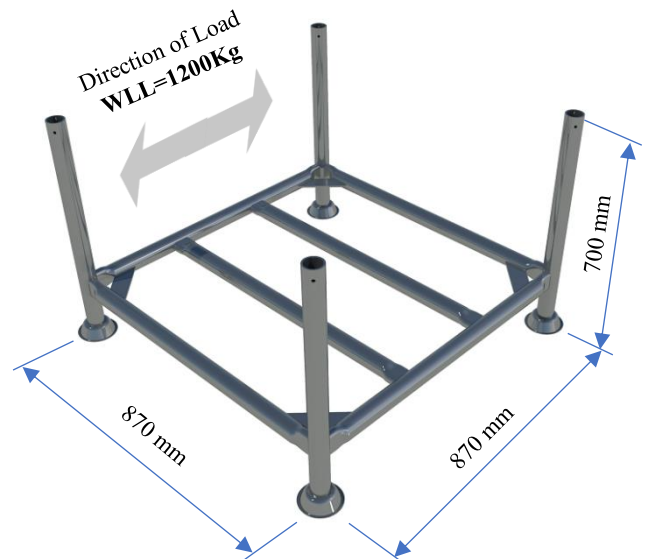


Size: 900x900 (Actual size 878x878x670mm)

Features: Horizontal Members: CHS Ø48.3 x
4mm

Working Load Limit: 1200Kg

Stillage Code: MP

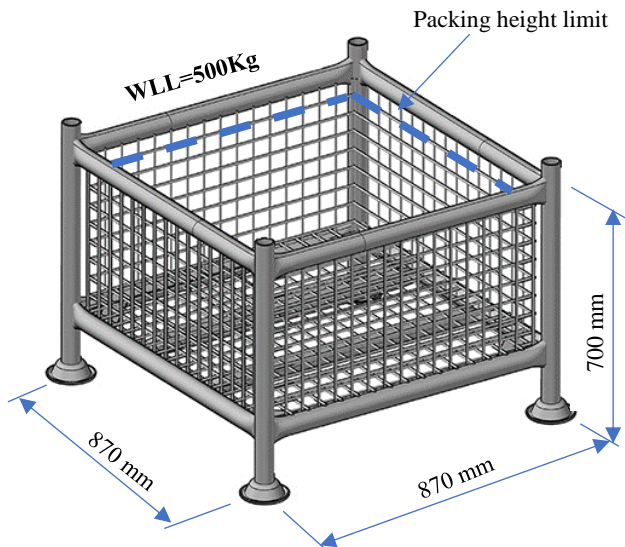


Size: 900x900 (Actual size 870x870x700mm)

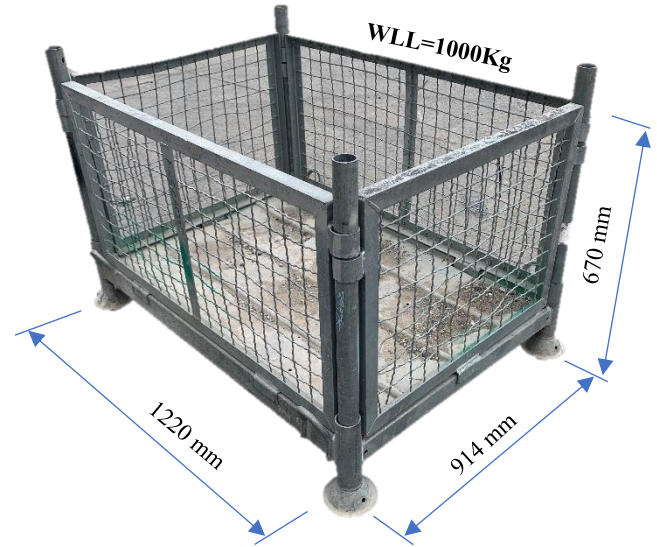
Features: Horizontal Members: CHS Ø48.3 x
4mm

Working Load Limit: 1200Kg

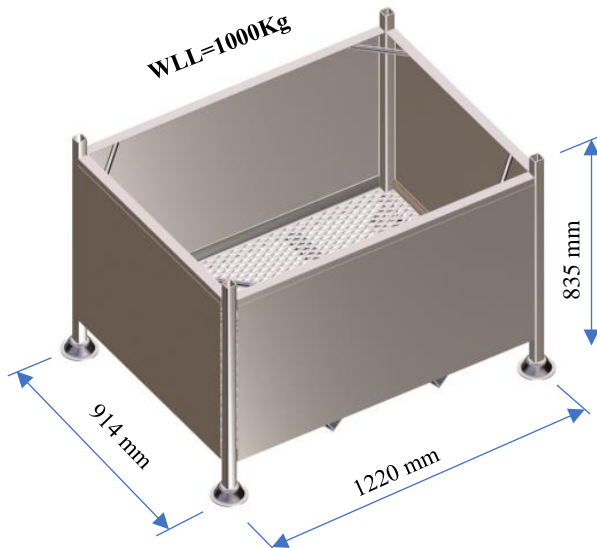
Stillage Code: MP

Enclosed Stillages


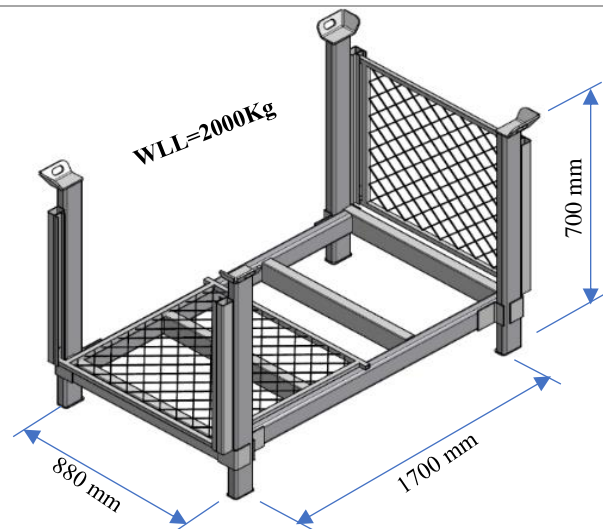
Size: 900x900 (Actual size 870x870x700mm)
Features: Fully enclosed non removable sides
Working Load Limit: 500Kg
Stillage Code: MEP



Size: 1200x900 (Actual size 1220x914x670mm)
Features: Fully enclosed with removable sides
Working Load Limit: 1000Kg
Stillage Code: APSS



Size: 1200x900 (Actual size 1220x914x835mm)
Features: Fully enclosed non removable sides
Working Load Limit: 1000Kg
Stillage Code: SPEGAL



Size: 1700 x 880 (Actual size 1700x880x700mm)
Features: side enclosure only, removable and collapsible
Working Load Limit: 2000Kg
Stillage Code: 1870144

Refer to "ACROW SCAFFOLD STILLAGE Transport and Manual Handling" document number TD-TRA-STL-00-19-01 for further information.