



SAFETY, SPEED & EFFICIENCY

The jack operates through a synchronisation system based on position sensors installed in each jack. In case any jack deviates beyond the acceptable range, the computer system adjusts the current to the variable speed drive jack to either increase or decrease the jack's movement. This entire process is automated within the computer system. As a result, all jacks can move up or down with a maximum deviation of only 0.2mm (excluding elongation, settlement, deflection, etc.). While the system cannot self-level, once it reaches a level position, the jacks remain synchronized with one another, allowing the user to achieve complete levelness without manually operating each jack.

Electrical Supply

400v, 3-phase, 50Hz,
Neutral & Earth

Maximum Loading

320 kN per Jack

Climb Rate

2mm per second
(3000mm = 25 mins)

JUMPFORM

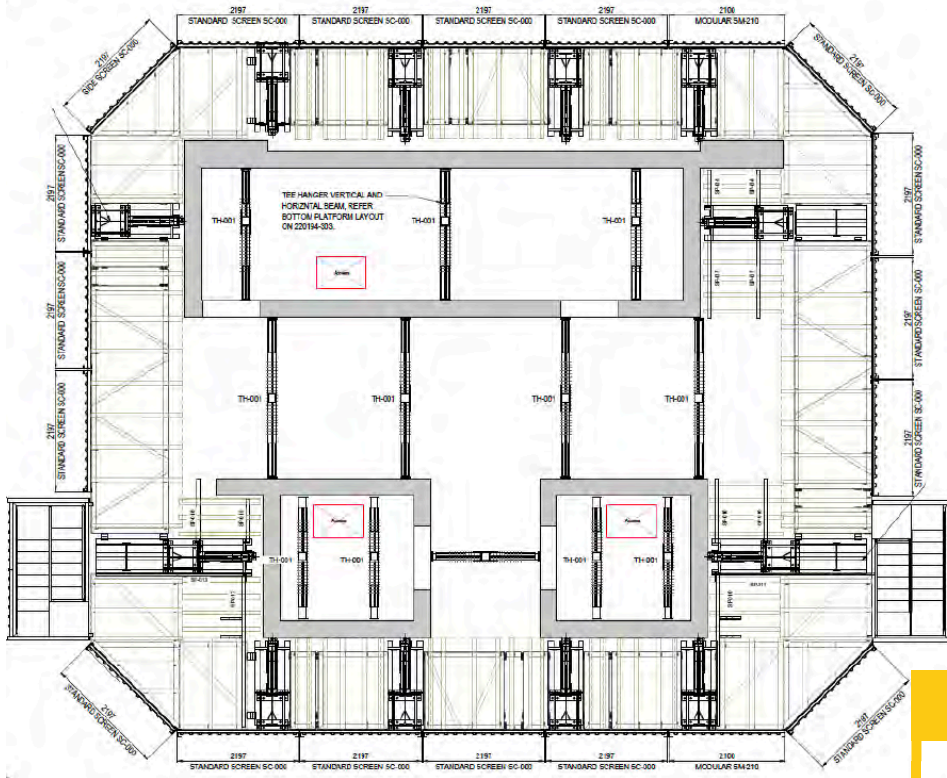
JACKING SYSTEMS



Modular components allow for maximum versatility during design phase.

System is supported off external walls creating more usable space internally.

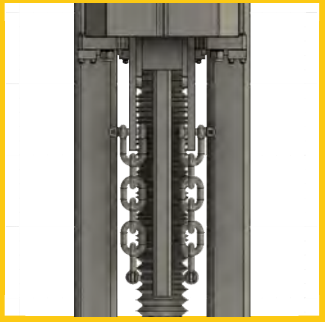
Plumbing of entire system can be achieved quickly and easily using the platform rollers.



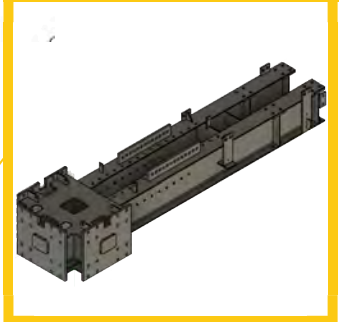
Ball screw mechatronic Jacks provides superior electrical efficiency over traditional Acme thread Jacks.

Jumping process is controlled by Laptop, providing real time feedback and load data.

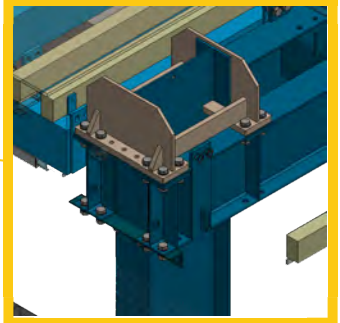
JACK TO MAIN GRID CONNECTION



MAIN GRID BEAM



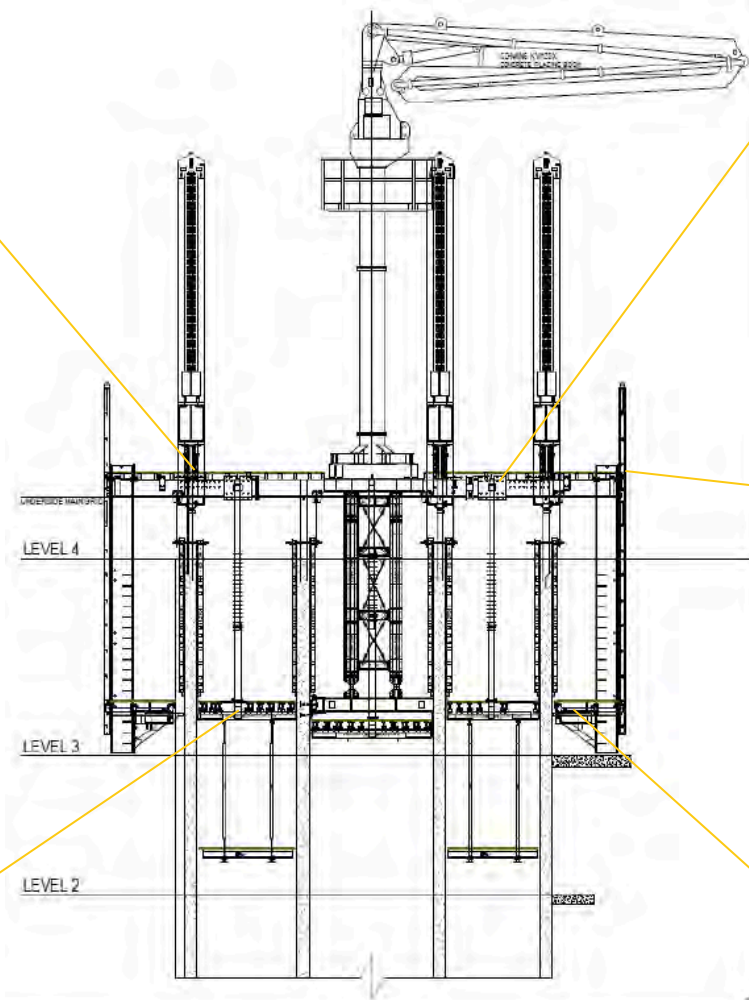
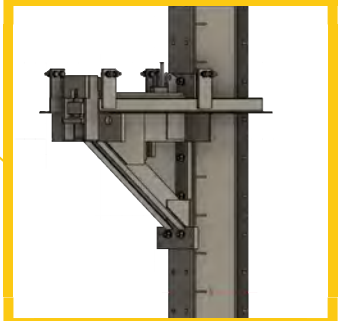
COLUMN-MAIN GRID CONNECTION



TELESCOPIC INTERNAL BEAM



COLUMN SHOE

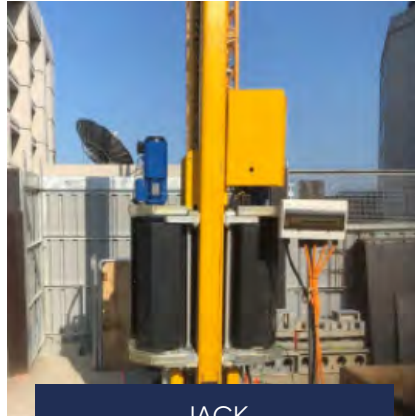


JUMPFORM

JACKING SYSTEMS



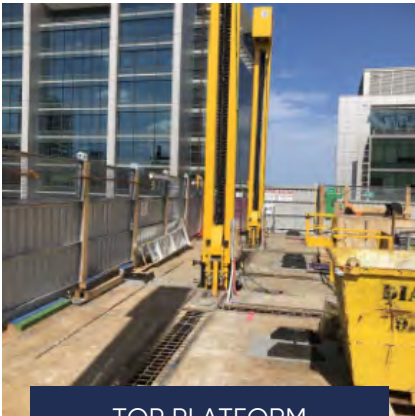
TOP GRID



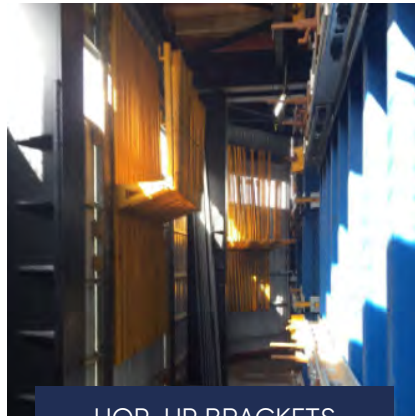
JACK



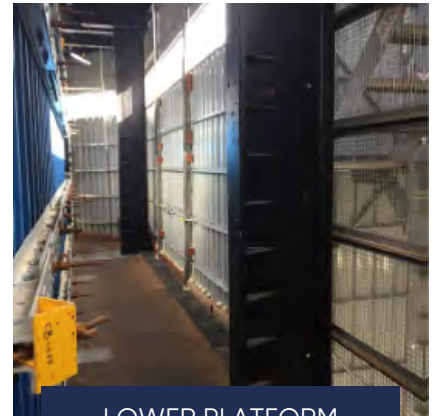
PLC CONTROL BOX



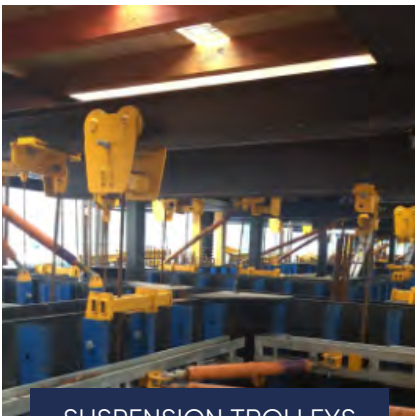
TOP PLATFORM



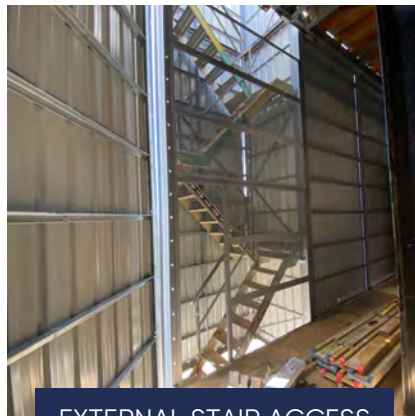
HOP-UP BRACKETS



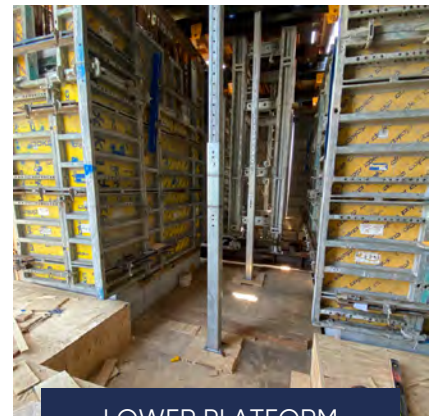
LOWER PLATFORM



SUSPENSION TROLLEYS



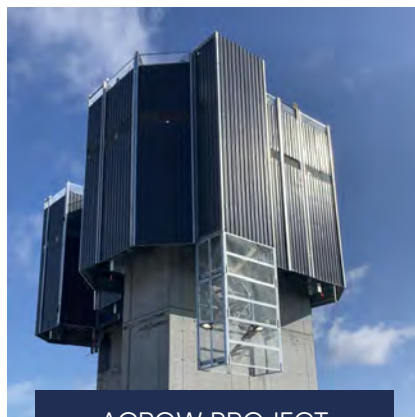
EXTERNAL STAIR ACCESS



LOWER PLATFORM



ACROW PROJECT



ACROW PROJECT



ACROW PROJECT



acrow.

ENGINEERING & CONSTRUCTION



CONTACT

NSW

National Head Office
2a Mavis Street
Revesby NSW 2212
P: 02 9780 6500

Screens Head Office
13-15 Vallance Street
St Marys NSW 2760
P: 02 9219 1566

WA

Formwork & Scaffold
11 Jackson Street
Bassendean WA 6054
P: 08 9373 7200

SA

Formwork & Scaffold
26 Circuit Drive
Hendon SA 5014
P: 08 8359 9700

VIC

Formwork, Scaffold & Screens
1651-1657 Centre Road
Springvale VIC 3171

QLD

Formwork & Scaffold
280 Bilsen Road
Geebung QLD 4034
P: 07 3265 2266

Screens & Formwork
2 Morrison Lane
Beenleigh QLD 4207
P: 07 3807 9800

Industrial Scaffold
22a Spans Road
Beenleigh QLD 4207
P: 07 3442 4000

Industrial Services Office
106 City Road
Beenleigh QLD 4207

MI Scaffold Access & Rigging Mackay
247 Boundary Road E
Paget QLD 4740
P: 07 4952 1966

MI Scaffold Access & Rigging Gladstone
48 Chapple Street
Gladstone, QLD 4680
P: 07 4970 3200

Benchmark Scaffolding
8-12 Webb Drive
Mount St John QLD 4680
P: 1300 112 247

TASMANIA

Formwork & Scaffold
93 Lampton Avenue
Moonah TAS 7009
P: 03 6277 1212

Formwork & Scaffold
65 Boland Street
Launceston TAS 7250
P: 03 6324 8282



1300 138 362



acrow.com.au



info@acrow.com.au